

(19) World Intellectual Property Organization  
International Bureau



(43) International Publication Date  
24 January 2002 (24.01.2002)

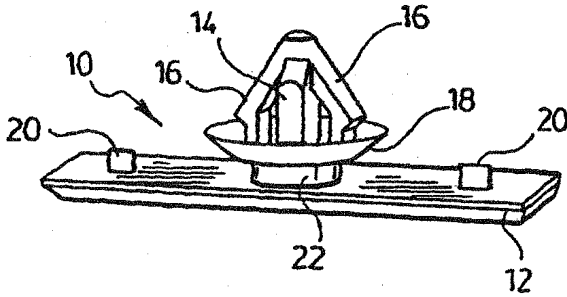
PCT

(10) International Publication Number  
WO 02/06682 A3

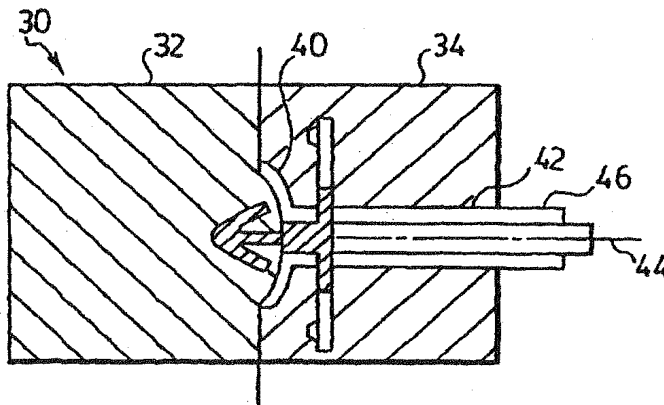
- (51) International Patent Classification<sup>7</sup>: B29C 45/16, F16B 43/00, 21/08, 5/06
- (72) Inventor; and
- (75) Inventor/Applicant (for US only): LYDAN, Robert [CA/CA]; 392 Burnett Avenue, Cambridge, Ontario N1T 1G8 (CA).
- (21) International Application Number: PCT/CA01/01020
- (74) Agent: IMAI, Jeffrey, T.; Magna International Inc., 337 Magna Drive, Aurora, Ontario L4G 7K1 (CA).
- (22) International Filing Date: 13 July 2001 (13.07.2001)
- (25) Filing Language: English
- (81) Designated States (national): AE, AG, AL, AM, AT, AU, AZ, BA, BB, BG, BR, BY, BZ, CA, CH, CN, CR, CU, CZ, DE, DK, DM, DZ, EE, ES, FI, GB, GD, GE, GH, GM, HR, HU, ID, IL, IN, IS, JP, KE, KG, KP, KR, KZ, LC, LK, LR, LS, LT, LU, LV, MA, MD, MG, MK, MN, MW, MX, MZ, NO, NZ, PL, PT, RO, RU, SD, SE, SG, SI, SK, SL, TJ, TM, TR, TT, TZ, UA, UG, US, UZ, VN, YU, ZA, ZW.
- (26) Publication Language: English
- (30) Priority Data: 60/218,598 17 July 2000 (17.07.2000) US
- (71) Applicant (for all designated States except US): DE-COMA EXTERIOR TRIM INC. [CA/CA]; 50 Casmir Court, Concord, Ontario L4K 4J5 (CA).
- (84) Designated States (regional): ARIPO patent (GH, GM, KE, LS, MW, MZ, SD, SL, SZ, TZ, UG, ZW), Eurasian patent (AM, AZ, BY, KG, KZ, MD, RU, TJ, TM), European

[Continued on next page]

(54) Title: METHOD AND APPARATUS FOR MOLDING A DUAL DUROMETER CLIP



(57) Abstract: A clip (10) for fastening a panel (50) to a support structure (52) is provided. The clip (10) has a plate (12) and a stem (14) extending from the plate. The stem (14) has a base (22) and a body section (24). The base (22) has a width greater than a width of the body section (24). A pair of tangs (16) extend from a distal end of the stem (14) towards the plate (12). A sealing flange (18) extends from the base (22). The sealing flange (18) is first molded from a material having a first durometer and then the plate (12), stem (14) and tangs (16) are molded from a material having a second durometer greater than the first durometer.



WO 02/06682 A3



patent (AT, BE, CH, CY, DE, DK, ES, FI, FR, GB, GR, IE, IT, LU, MC, NL, PT, SE, TR), OAPI patent (BF, BJ, CF, CG, CI, CM, GA, GN, GW, ML, MR, NE, SN, TD, TG).

(88) Date of publication of the international search report:

11 April 2002

**Published:**

- with international search report
- before the expiration of the time limit for amending the claims and to be republished in the event of receipt of amendments

*For two-letter codes and other abbreviations, refer to the "Guidance Notes on Codes and Abbreviations" appearing at the beginning of each regular issue of the PCT Gazette.*

II INTERNATIONAL SEARCH REPORT

International Application No  
PCT/CA 01/01020

<b>A. CLASSIFICATION OF SUBJECT MATTER</b> IPC 7 B29C45/16 F16B43/00 F16B21/08 F16B5/06		
According to International Patent Classification (IPC) or to both national classification and IPC		
<b>B. FIELDS SEARCHED</b> Minimum documentation searched (classification system followed by classification symbols) IPC 7 B29C F16B		
Documentation searched other than minimum documentation to the extent that such documents are included in the fields searched		
Electronic data base consulted during the international search (name of data base and, where practical, search terms used) EPO-Internal, PAJ		
<b>C. DOCUMENTS CONSIDERED TO BE RELEVANT</b>		
Category *	Citation of document, with indication, where appropriate, of the relevant passages	Relevant to claim No.
X	US 5 173 026 A (CORDOLA JEAN-PIERRE ET AL) 22 December 1992 (1992-12-22) cited in the application abstract column 2, line 42 -column 3, line 13 figures 4-6	1-6
A	PATENT ABSTRACTS OF JAPAN vol. 013, no. 334 (M-855), 27 July 1989 (1989-07-27) -& JP 01 110919 A (TOYODA GOSEI CO LTD), 27 April 1989 (1989-04-27) abstract	7,9
A	US 3 810 279 A (SWICK E ET AL) 14 May 1974 (1974-05-14) column 2, line 16 - line 19 figure 1	6
<input type="checkbox"/> Further documents are listed in the continuation of box C. <input checked="" type="checkbox"/> Patent family members are listed in annex.		
* Special categories of cited documents :		
*A* document defining the general state of the art which is not considered to be of particular relevance *E* earlier document but published on or after the international filing date *L* document which may throw doubts on priority claim(s) or which is cited to establish the publication date of another citation or other special reason (as specified) *O* document referring to an oral disclosure, use, exhibition or other means *P* document published prior to the international filing date but later than the priority date claimed		*T* later document published after the international filing date or priority date and not in conflict with the application but cited to understand the principle or theory underlying the invention *X* document of particular relevance; the claimed invention cannot be considered novel or cannot be considered to involve an inventive step when the document is taken alone *Y* document of particular relevance; the claimed invention cannot be considered to involve an inventive step when the document is combined with one or more other such documents, such combination being obvious to a person skilled in the art. *&* document member of the same patent family
Date of the actual completion of the international search 18 February 2002		Date of mailing of the international search report 22/02/2002
Name and mailing address of the ISA European Patent Office, P.B. 5818 Patentlaan 2 NL - 2280 HV Rijswijk Tel. (+31-70) 340-2040, Tx. 31 651 epo nl, Fax: (+31-70) 340-3016		Authorized officer: Granger, H

INTERNATIONAL SEARCH REPORT

Information on patent family members

International Application No

PCT/CA 01/01020

Patent document cited in search report		Publication date		Patent family member(s)	Publication date
US 5173026	A	22-12-1992	FR	2673249 A1	28-08-1992
			ES	1020240 U1	01-06-1992
			IT	1263297 B	05-08-1996
			JP	5071519 A	23-03-1993
JP 01110919	A	27-04-1989	JP	1794799 C	14-10-1993
			JP	4082087 B	25-12-1992
US 3810279	A	14-05-1974	AU	470951 B	01-04-1976
			AU	6347373 A	12-06-1975
			CA	974384 A1	16-09-1975
			DE	2406231 A1	29-08-1974
			FR	2219325 A1	20-09-1974
			GB	1451009 A	29-09-1976
			IT	1009667 B	20-12-1976
			JP	1118641 C	28-10-1982
			JP	49117866 A	11-11-1974
			JP	57005964 B	02-02-1982
SE	397712 B	14-11-1977			

(19) World Intellectual Property Organization  
International Bureau



(43) International Publication Date  
24 January 2002 (24.01.2002)

PCT

(10) International Publication Number  
**WO 02/06682 A2**

- (51) International Patent Classification<sup>7</sup>: **F16B**
- (21) International Application Number: PCT/CA01/01020
- (22) International Filing Date: 13 July 2001 (13.07.2001)
- (25) Filing Language: English
- (26) Publication Language: English
- (30) Priority Data:  
60/218,598 17 July 2000 (17.07.2000) US
- (71) Applicant (for all designated States except US): **DE-COMA EXTERIOR TRIM INC.** [CA/CA]; 50 Casmir Court, Concord, Ontario L4K 4J5 (CA).

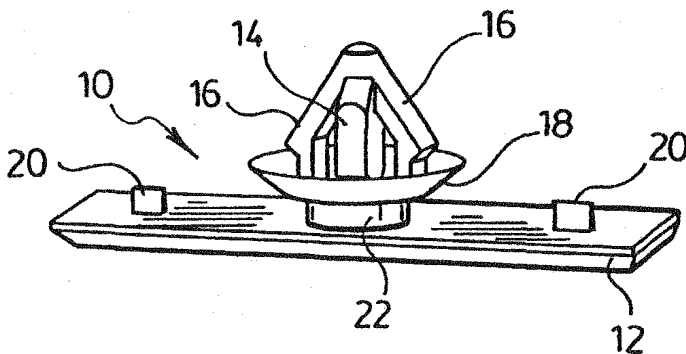
- (72) Inventor; and  
(75) Inventor/Applicant (for US only): **LYDAN, Robert** [CA/CA]; 392 Burnett Avenue, Cambridge, Ontario N1T 1G8 (CA).
- (74) Agent: **IMAI, Jeffrey, T.**; Magna International Inc., 337 Magna Drive, Aurora, Ontario L4G 7K1 (CA).

- (81) Designated States (national): AE, AG, AL, AM, AT, AU, AZ, BA, BB, BG, BR, BY, BZ, CA, CH, CN, CR, CU, CZ, DE, DK, DM, DZ, EE, ES, FI, GB, GD, GE, GH, GM, HR, HU, ID, IL, IN, IS, JP, KE, KG, KP, KR, KZ, LC, LK, LR, LS, LT, LU, LV, MA, MD, MG, MK, MN, MW, MX, MZ, NO, NZ, PL, PT, RO, RU, SD, SE, SG, SI, SK, SL, TJ, TM, TR, TT, TZ, UA, UG, US, UZ, VN, YU, ZA, ZW.
- (84) Designated States (regional): ARIPO patent (GH, GM, KE, LS, MW, MZ, SD, SL, SZ, TZ, UG, ZW), Eurasian patent (AM, AZ, BY, KG, KZ, MD, RU, TJ, TM), European patent (AT, BE, CH, CY, DE, DK, ES, FI, FR, GB, GR, IE, IT, LU, MC, NL, PT, SE, TR), OAPI patent (BF, BJ, CF, CG, CI, CM, GA, GN, GW, ML, MR, NE, SN, TD, TG).

**Published:**  
— without international search report and to be republished upon receipt of that report

For two-letter codes and other abbreviations, refer to the "Guidance Notes on Codes and Abbreviations" appearing at the beginning of each regular issue of the PCT Gazette.

(54) Title: DUAL DUROMETER CLIP



(57) Abstract: A clip (10) for fastening a panel (50) to a support structure (52) is provided. The clip (10) has a plate (12) and a stem (14) extending from the plate. The stem (14) has a base (22) and a body section (24). The base (22) has a width greater than a width of the body section (24). A pair of tangs (16) extend from a distal end of the stem (14) towards the plate (12). A sealing flange (18) extends from the base (22). The sealing flange (18) is first molded from a material having a first durometer and then the plate (12), stem (14) and tangs (16) are molded from a material having a second durometer greater than the first durometer.

WO 02/06682 A2

## DUAL DUROMETER CLIP

### Field of Invention

This invention relates to a dual durometer clip. In particular, this invention relates to a fastener having a flange of softer material for sealing the fastener against a mounting surface.

### Background of Invention

W-Clips are well known in the automotive industry to attach a cladding or panel to a support structure. W-Clips generally have a base plate with a stem extending therefrom. A pair of elastic tangs extend from the tip of the stem towards the base plate. A sealing flange is spaced from the base plate and extends about the base of the stem. The sealing flanges closes the aperture on the support structure. Examples of such clips are illustrated in United States Patent nos. 5,173,026; 6,689,863; 5,704,753; and 5,857,244.

The prior art W-Clips can be made as a single injection molding. Since the stem and base plate of the W-clip needs to be relatively rigid to provide sufficient support for the cladding or panel, the sealing flange will also be relatively rigid and thus provides only a limited amount of sealing.

Alternatively, the prior art W-Clips can be manufactured using an over-molding technique. The base plate and stem are first molded using a relatively rigid material and then a softer material is over molded to form the sealing flange.

Typically, the base of the stem has the same width as the rest of the stem. If a softer flange is over-molded onto the base of the stem, the slip could be inserted beyond the flange causing the flange to distort and reduce its effectiveness as a seal.

Alternatively, a more rigid flange could be initially molded and a softer material over-molded at the outer periphery of the flange. The more rigid flange prevents the clip from being over-inserted. However, the complexity and cost of the mold required to produce such a clip increases dramatically.

Thus, there exist a need for a simple W-clip which provides an effective sealing flange, which cannot be over-installed and which is easily molded.

### Summary of Invention

The disadvantages of the prior art may be overcome by providing a clip having a stem with a base which is wider than the body of the stem. A sealing flange is first molded and then the body of the stem and base plate is under-molded.

5 According to one aspect of the invention, there is provided a clip for fastening a panel to a support structure. The clip has a plate and a stem extending from the plate. The stem has a base and a body section. The base has a width greater than a width of the body section. A pair of tangs extends from a distal end of the stem towards the plate. A sealing flange extends from the base of the stem. The sealing flange is first molded from a  
10 material having a first durometer and then the plate, stem and tangs are molded from a material having a second durometer greater than the first durometer.

According to another aspect of the invention, there is provided a method of forming a clip. The method includes the steps of:

providing a mold having a cavity complementary to the clip;  
15 moving an injector pin to close off a portion of the cavity complementary to the stem;  
moving a sleeve surrounding the injector pin to a position to close a portion of the cavity defining the sealing flange;  
injecting a first material having a first durometer into the cavity to mold the sealing  
20 flange;  
retracting the injector pin and the sleeve to close the cavity at a position to define a portion of the plate;  
injecting a second material having a second durometer greater than the first durometer into the cavity to mold the plate, stem and tangs; and  
25 opening the mold and ejecting the clip.

According to another aspect of the invention, there is provided an apparatus for molding a clip according to the present invention. The apparatus has a mold having a first mold cavity complementary to the sealing flange and a second mold cavity complementary to said plate, stem and tangs. An injector pin communicates with the first and second  
30 mold cavity and a source of first material of a first durometer and a source of second material of a second durometer. The second durometer is greater than the first durometer.

A sleeve surrounds the injector pin and slides relative thereto. The pin and sleeve each move independently between a first position closing the first mold cavity and a second position closing the second cavity. The pin closes a portion of the second cavity corresponding to the stem and tangs when the pin is in the first position.

5

### **Description of the Drawings**

In drawings which illustrate the preferred embodiment of the invention,

Figure 1 is a perspective view of the W-Clip of the present invention;

Figure 2 is an end elevational view of the W-Clip of Figure 1;

10

Figure 3 is a side elevational view of the W-Clip of Figure 1;

Figure 4 is a sectional view of a mold for molding the W-Clip of Figure 1, molding the sealing flange;

Figure 5 is a section view of the mold of Figure 4, molding the base portion of the W-Clip of Figure 1; and

15

Figure 6 is a side sectional view of the W-Clip of Figure fastening a plastic panel to a support structure.

### **Description of the Invention**

Referring to Figures 1-3, a W-Clip 10 of the present invention. The clip 10 generally comprises a plate 12, a stem 14, a pair of tangs 16 and a sealing flange 18.

20

Plate 12 is illustrated as rectangular with tabs 20 extending from opposite end regions of the plate 12. Size and shaping of the plate 12 and the position and size of the tabs 20 are dictated by the particular application of the clip 10.

25

Stem 14 extends generally perpendicularly from the plate 12. Stem 14 has a base 22 and a body section 24. As is apparent in Figure 2, the base 22 has a greater width than the body section 24. Base 22 has a thickness slightly greater than the thickness of the plate 12. Body section 24 preferably has a tapered end.

30

A pair of resilient tangs 16 extend from the tapered end of the body section 24 towards the plate 12. The tangs 16 each have a notch 26 at the distal ends thereof. The notches 26 align with the base section 24 of the stem 14.

Sealing flange 18 extends radially outwardly from the base 22. The sealing flange



18 presents a concave seal.

Referring to Figures 4 and 5, a mold 30 for manufacturing the clip 10 is illustrated. The mold 30 comprises mold portions 32 and 34 and mirror image mold portions (not illustrated). Optionally mold halves could be utilized. Mold portion 32 has a cavity 36  
5 which is complementary to the body section 24 and tangs 16. Additionally, the surface 38 surrounding the entrance of cavity 36 is contoured to be complementary to the concave surface of the sealing flange 18.

Mold portion 34 has a cavity 40 complementary to the plate 12, the base 22 and the convex side of sealing flange 18. Mold portion 34 has a bore 42 which communicates  
10 with cavity 40. Optionally, mold portions 32, 34 can be made as a single mold half with a mirror image mold half. The parting line of the clip 10 is longitudinally of the base 12.

To mold a clip 10, the mold 30 is closed. An injector pin 44 has a sleeve 46. The pin 44 and sleeve 46 is inserted through bore 42 until pin 44 abuts with surface 38 and closes off cavity 36. Sleeve 46 is aligned with the inner edge of the mold cavity 40  
15 defining plate 12. A first relatively softer or low durometer material, such as a synthetic rubber, ZYTEL FN or SANTOPRENE is injected into the cavity 40 surrounding the pin forming sealing flange 18. The injector pin 44 and sleeve 46 are retracted to the outer edge of cavity 40. A second relatively rigid or high durometer material, such a NYLON is injected into cavity 36 and the remainder of cavity 40 to form the plate 12, the stem 14 and  
20 the tangs 16. The mold 30 is opened and the clip 10 is ejected.

Referring to Figure 6, a clip 10 is illustrated fastening a plastic panel 50 to a support structure 52. The plastic panel 50 has an aperture sized to receive the base 22 of stem 14 and the support structure 52 has an aperture smaller than the diameter of the aperture of the plastic panel 50. The width of the base 22 prevents the clip 10 from being  
25 inserted into the support structure 52. The tangs 16 are biased and sized to enable insertion of the stem 14 through the aperture of support structure 52 until the tangs 16 snap into place when fully inserted. The bias of tangs 16 retain the tangs 16 in engagement with the back side of the support structure 52, *i.e.*, the notches 26 prevent removal of the clip 10 from the support structure 52.

30 The invention has been described in an illustrative manner, and it is to be understood that the terminology which has been used is intended to be in the nature of

words of description rather than of limitation. Many modifications and variations of the present invention are possible in light of the above teachings. It is, therefore, to be understood that within the scope of the appended claims the invention may be practiced otherwise than as specifically described.

What is claimed:

1. A clip for fastening a panel having an aperture to a support structure having an aperture, said clip comprising:
  - a plate,
  - 5 a stem extending from said plate, said stem has a base and a body section, said base having a width greater than a width of said body section,
  - a pair of tangs extending from a distal end of the stem towards said plate,
  - a sealing flange extending from said base of said stem, said sealing flange molded from a material having a first durometer and said plate, stem and tangs molded from a
  - 10 material having a second durometer greater than said first durometer.
2. A clip as claimed in claim 1 wherein said tangs are biased to allow insertion thereof through said apertures and to prevent removal therefrom.
3. A clip as claimed in claim 2 wherein said plate abuts against said panel when said clip extends through said panel aperture.
- 15 4. A clip as claimed in claim 2 wherein said base of said stem abuts against said support structure when said clip extends through said support structure aperture.
5. A clip as claimed in claim 2 wherein said sealing flange is molded prior to said plate, stem and tangs being molded.
6. A clip as claimed in claim 5 wherein said material having a first durometer is a
- 20 synthetic rubber and said material having a second durometer is nylon.
7. A method of forming a clip having a plate, a stem extending from said plate, a pair of tangs extending from a distal end of the stem towards said plate, and a sealing flange extending from said body section of said stem adjacent said base, said stem having a base and a body section, said base having a width greater than a width of said body section, said
- 25 method comprising steps of:
  - providing a mold having a cavity complementary to said clip,
  - moving an injector pin to close off a portion of the cavity complementary to said stem,
  - moving a sleeve surrounding said injector pin to a position to close a portion of the
  - 30 cavity defining said sealing flange,
  - injecting a first material having a first durometer into said cavity to mold said sealing flange,

retracting said injector pin and said sleeve to close said cavity at a position to define a portion of said plate;

injecting a second material having a second durometer into said cavity to mold said plate, stem and tangs;

5 opening said mold and ejecting said clip.

8. A method as claimed in claim 7 wherein said first material having a first durometer is a synthetic rubber and said second material having a second durometer is nylon.

9. An apparatus for molding a clip as claimed in claims 1 to 6, said apparatus comprising:

10 a mold having a first mold cavity complementary to said sealing flange and a second mold cavity complementary to said plate, stem and tangs,

an injector pin communicating with said first and second mold cavity and a source of first material of a first durometer and a source of second material of a second durometer, said second durometer being greater than said first durometer, and

15 a sleeve surrounding said injector pin and slidable relative thereto, said pin and sleeve each moveable between a first position closing said first mold cavity and a second position closing said second cavity.

10. An apparatus as claimed in claim 9 wherein said pin closes a portion of the second cavity corresponding to said stem and tangs when said pin is in said first position.

20 11. An apparatus as claimed in claim 10 wherein said first and second mold cavities have a common volume.

FIG. 1.

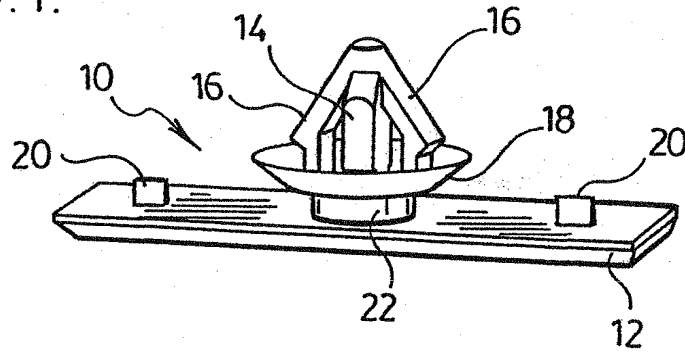


FIG. 2.

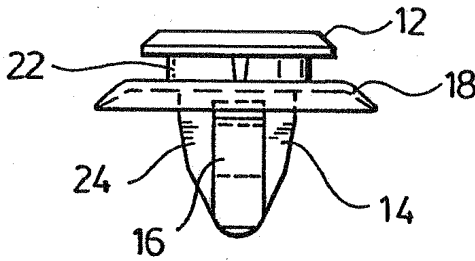


FIG. 3.

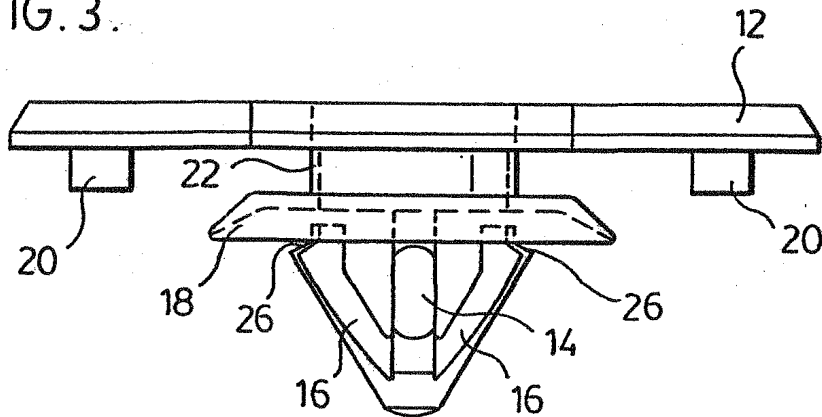


FIG. 4.

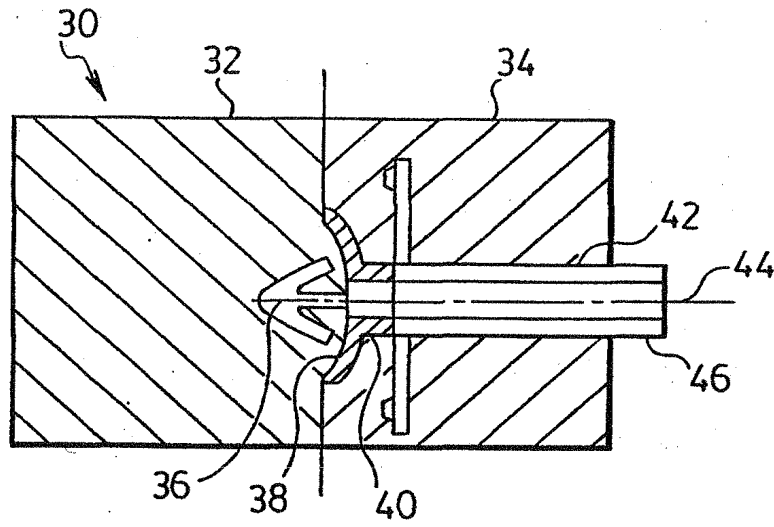


FIG. 5.

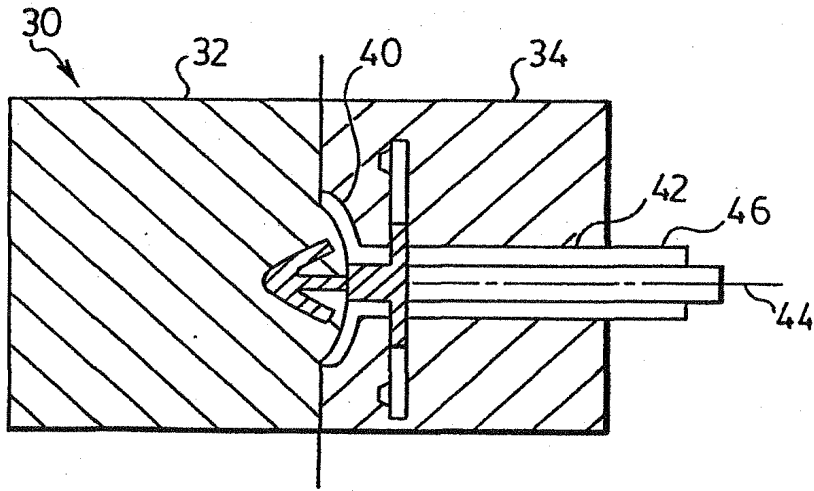


FIG. 6.

